

COMPSCI 314 S1T

Data Communications Fundamentals

- Introduction
- Basic concepts
- Assignment 1

COMPSCI 314 S1 T 2008

Data Communications Fundamentals

Lecturers

- Cris Calude – Room 575, cristian@cs.auckland.ac.nz
- Brian Carpenter – Room 587, brian@cs.auckland.ac.nz
- Nevil Brownlee – Room 590, n.brownlee@auckland.ac.nz

Test Date

Thursday 24 April, 1:35 – 2:20 pm

Assignments due

(via the CS DropBox, dates subject to revision)

Friday 11 April

Friday 9 May

Friday 30 May

Course web pages - keep an eye on them!

<http://www.cs.auckland.ac.nz/compsci314s1t/>

Other matters

- **Class representative**

Your name could be here: _____

- **Tutor**

DongJin Lee

- **Assignment extensions**

We will consider extensions to the assignment due date only for —

1. Illness or other unforeseeable emergency
2. Conflicts with other assignments, but only if the request is made within *one* week of the assignment being distributed

We will not be sympathetic if told “The 314 assignment is due tomorrow and I have 3 other assignments also due then; can I please have an extension?”

The dates have been published weeks ahead; you should have planned your work better or arranged earlier for an extension

There are no stupid questions...



... only stupid answers

- **Questions**

If you're stuck or don't understand, please contact any of your lecturers.

Or consider using the class forum.

- **Email**

Email must include the course number (314) and your UPI.

A name is nice, too.

Approach to material

- This year we are (mostly) following the textbook (Shay, 3rd edition)
- The lectures will provide in-depth discussion and comment on the course material. You should read the relevant sections in the textbook!
- The course does *not* cover *all* of the textbook. The sections that are covered are shown on the lecture outline, as it appears on the *lectures* page linked off the *course web page*
- *Changes* to the course outline and/or content will be notified on the course web page
- We assume that students already have some understanding of Data Communications, e.g. they have completed COMPSCI 215
 - if you have been exempted from 215, you may need to read ahead in Shay

Approximate plan of course

Week starting	Monday (a)	Monday (b)	Thursday	
3 Mar 2008	1 Introduction	2 Introduction	3 Signals	
10 Mar 2008	4 Codes	5 Analog & Digital	6 Analog & Digital	
17 Mar 2008	7 Compression	8 Compression	9 Data Integrity	
24 Mar 2008	—	—	10 Data Integrity	
31 Mar 2008	11 Powerline	12 Encryption	13 Authentication	
7 Apr 2008	14 Flow Control	15 Flow Control	16 LAN: link control	<i>Ass 1 due 11 Apr</i>
14 Apr 2008	— Mid Semester Break —			
21 Apr 2008	17 Ethernet	18 Ethernet	Test	TEST: Thu 24 Apr
28 Apr 2008	19 Wireless, 802.11	20 Bridges	21 Switches	
5 May 2008	22 Routing	23 Routing	—	<i>Ass 2 due 9 May</i>
12 May 2008	24 IPv4 basics	25 IPv4 and DNS	26 IPv6	
19 May 2008	27 TCP	28 UDP, sockets	29 Applications	
26 May 2008	30 Skype	31 HTTP, the web	32 Course overview	<i>Ass 3 due 30 May</i>
2 Jun 2008	<i>No lectures – just lots of time to study</i>			

Changes are possible at any time!

Main objectives

- Explain how signals and data are transmitted over various media. This is a prerequisite for understanding how networks are constructed and made reliable and secure.
- Introduce the principles of Local Area Networks. This material allows one to understand how larger-scale networks - such as the Internet - are built up from LANs.
- Explain how network protocols, especially TCP/IP, are designed and fitted together, and how they form the basis for the Internet and for distributed computing.
- Our focus is on *how things work*, especially on the underlying principles and protocols – we won't look at 'how to configure a router,' etc.

Overview

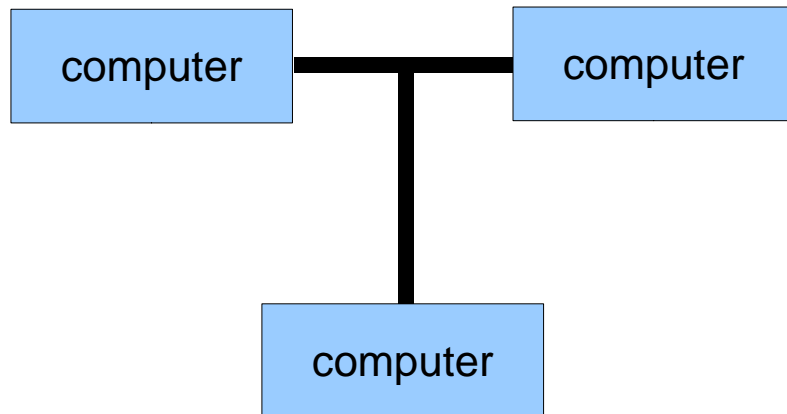
See Chapter 1 of Shay

- Data communications is often (mostly) implemented using various **layers** in a protocol stack
- The layers are: 1 (**physical**) 2 (**link**), 3 (**network**), 4 (**transport**) and 5..7 (**Applications**)
- The need for these layers arises from the structure of networks and the needs of applications.

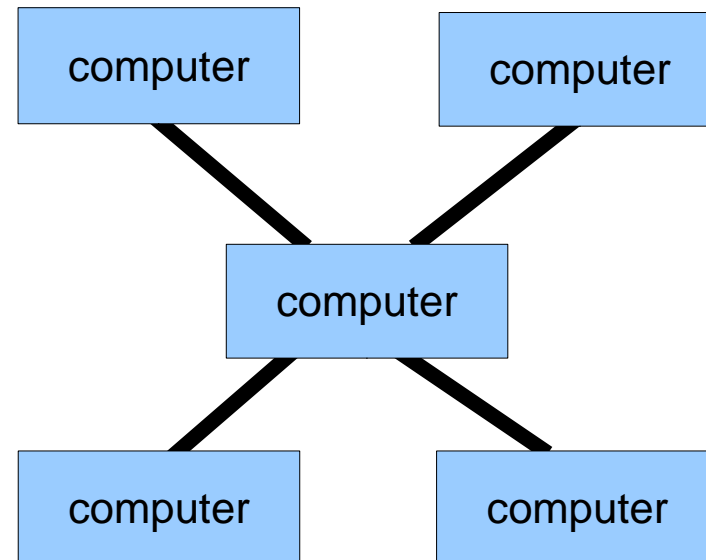
Network types



*Point to point:
How to send bits?*



*Shared link:
How to send bits to the right
destination?*



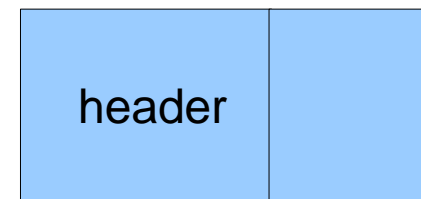
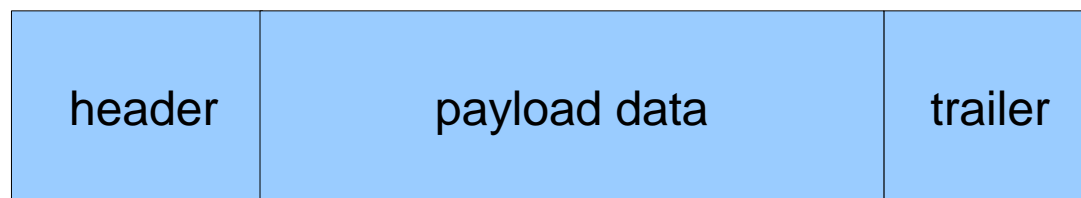
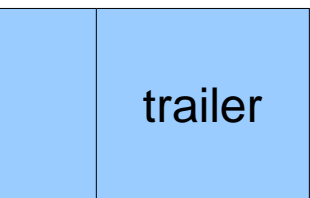
*Mesh:
How to send bits indirectly to the right
destination?*

Addressing

- As soon as we have more than two devices talking to each other, we need to have an address for each device.
 - Where devices are on the same cabling system or wireless system, usually a *Local Area Network*, the addresses are called *physical, hardware or link-level* addresses.
 - Where devices are indirectly connected, the addresses are logical addresses usually called *network* addresses.

Packets

- Data flows over the network in *packets*.
 - Packets are sometimes called *datagrams*.
 - Packets are known as *frames* when considering the physical layer.
 - There are gaps between the frames.
 - Packets allow many users to share one network
 - Packets include *headers* and optional *trailers* as well as useful data (called the *payload*).
 - Headers include source and destination *addresses*.



Things to do in a network

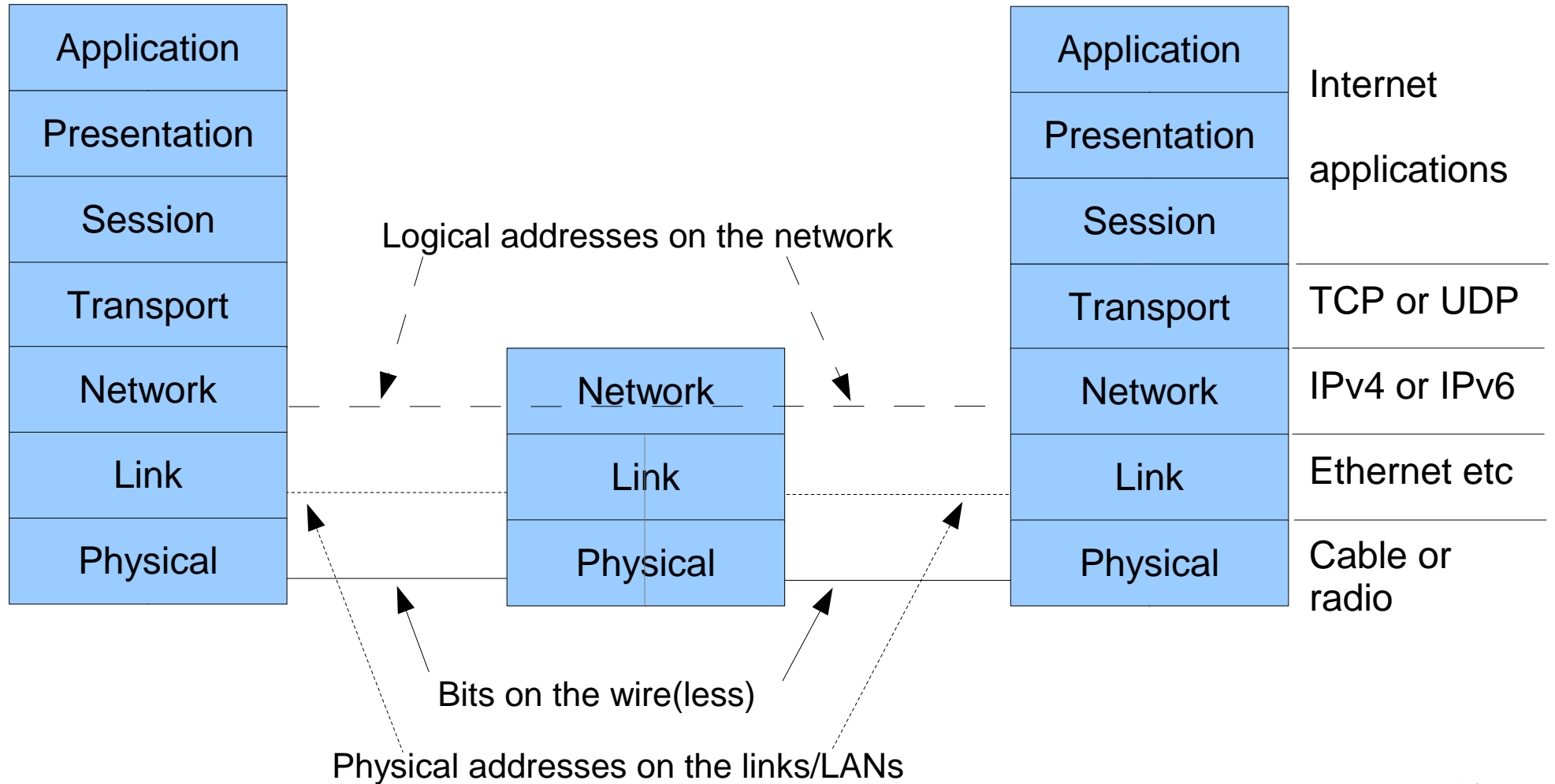
1. Transmit bits from one place to another (**Physical**)
2. Assemble bits into bytes and messages, check for reliable transmission, deliver to correct destination (**Link**)
3. Send messages indirectly between end-nodes in mesh-type network (**Network**)
4. In a mesh network, handle lost packets, broken links etc (**Transport**)
5. Handle extended connections between endpoints, LANs, etc.
6. Resolve differences between data representation in different computers
7. Do something useful (User application)

These are the seven layers of the “Open Systems Interconnection” (OSI) communications model.

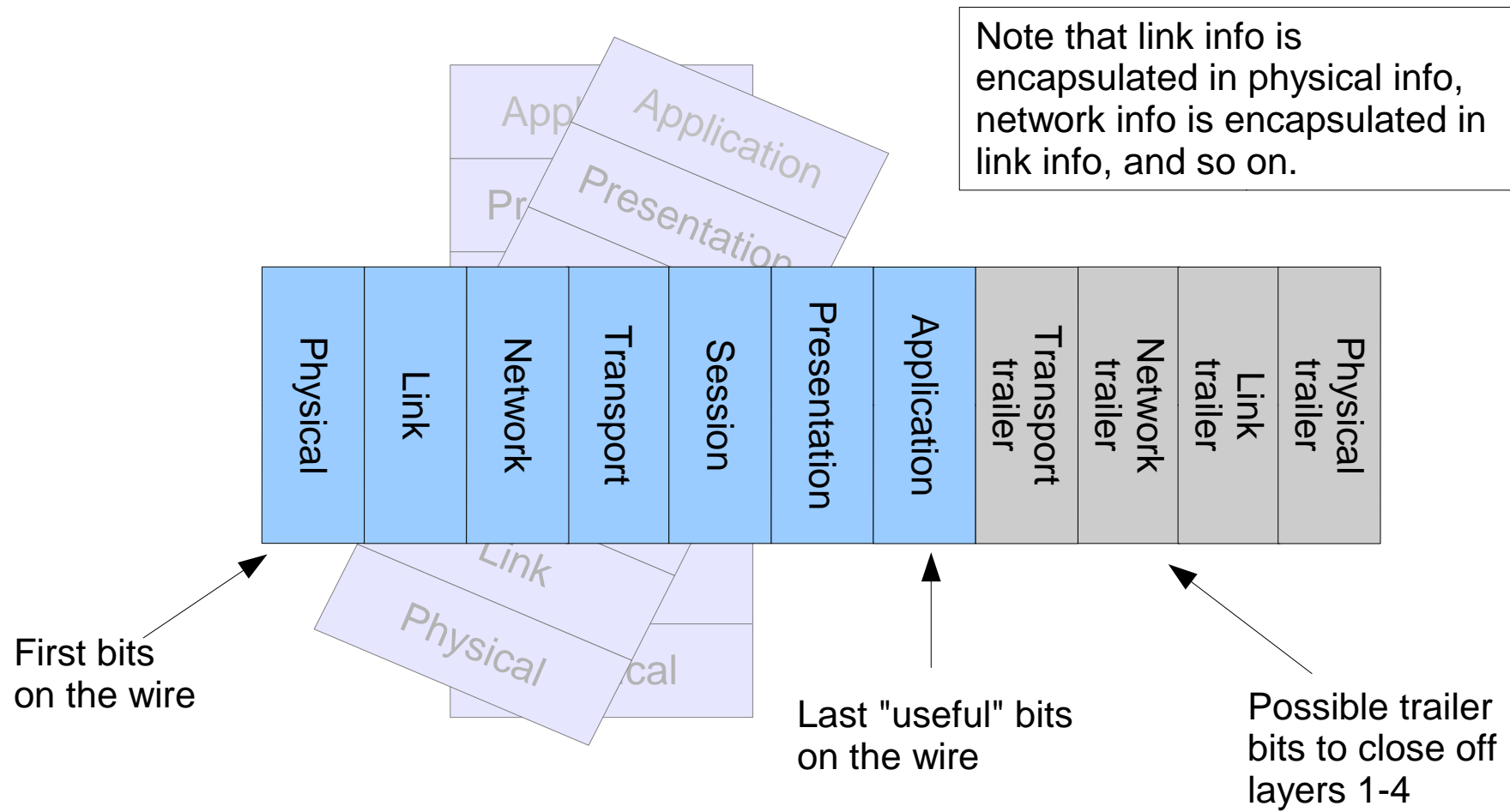
TCP/IP (Internet) combines layers 5-7, into a single **Application** layer.

We focus on the Internet, i.e. on TCP and related protocols.

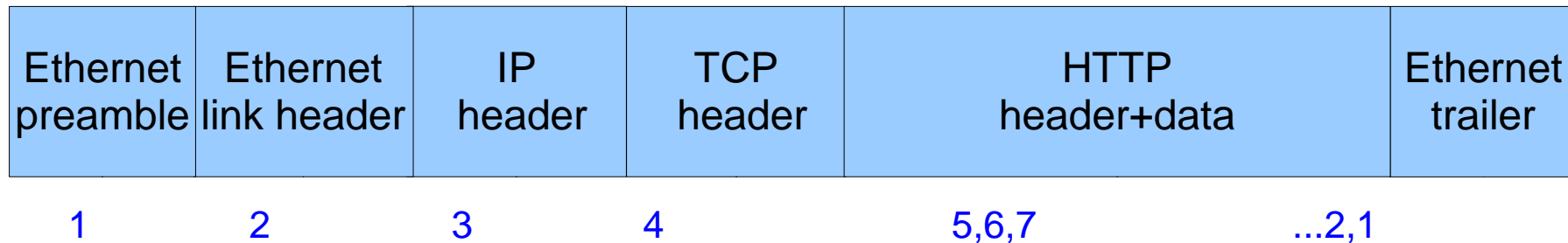
The formal model



Data packets on the wire (or on a radio link)



A real packet that you might see



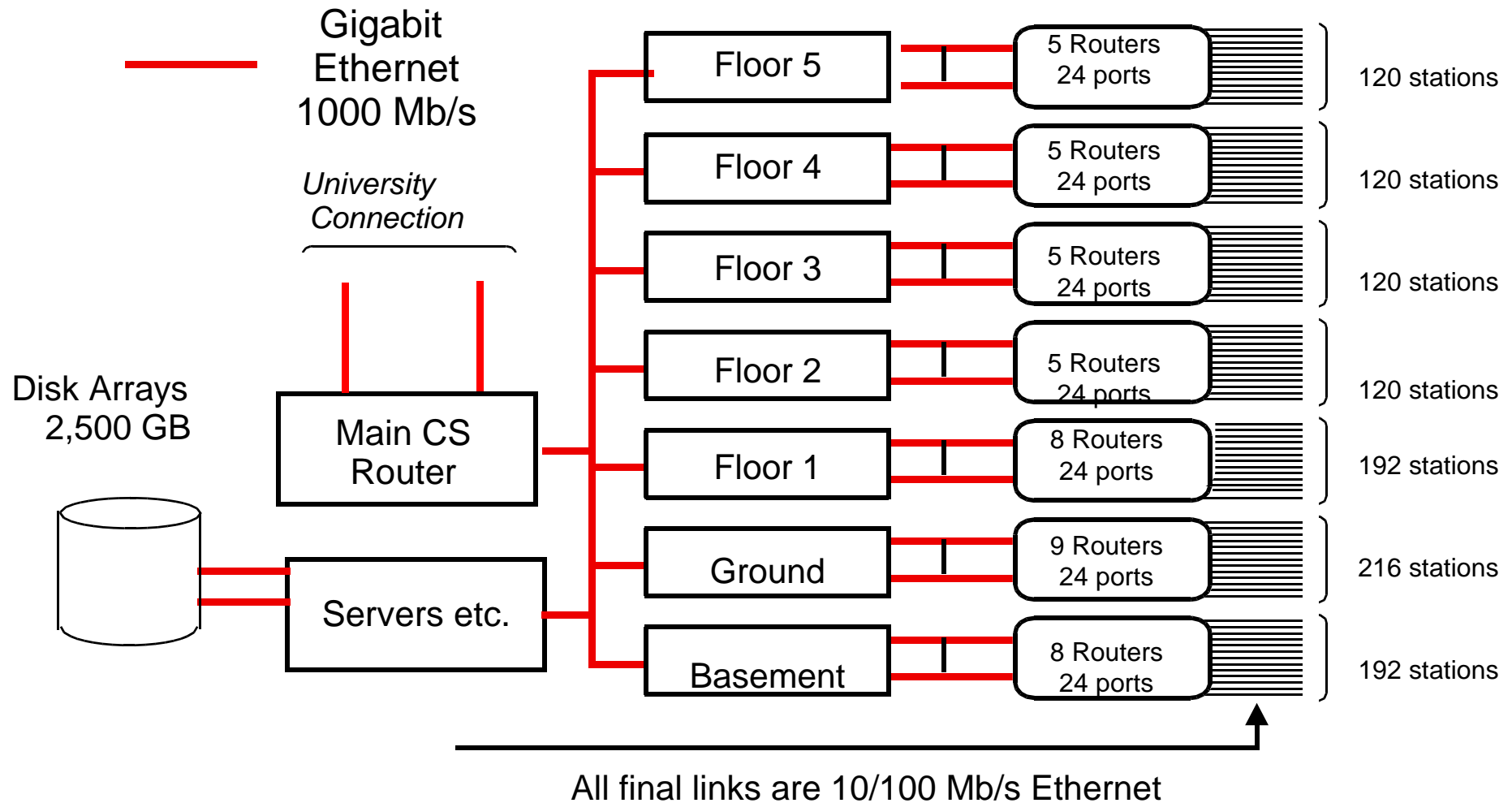
(most layers don't require trailers in practice)

- Ethernet physical layer encapsulates
 - Ethernet link layer encapsulates
 - IP encapsulates
 - TCP encapsulates
 - HTTP

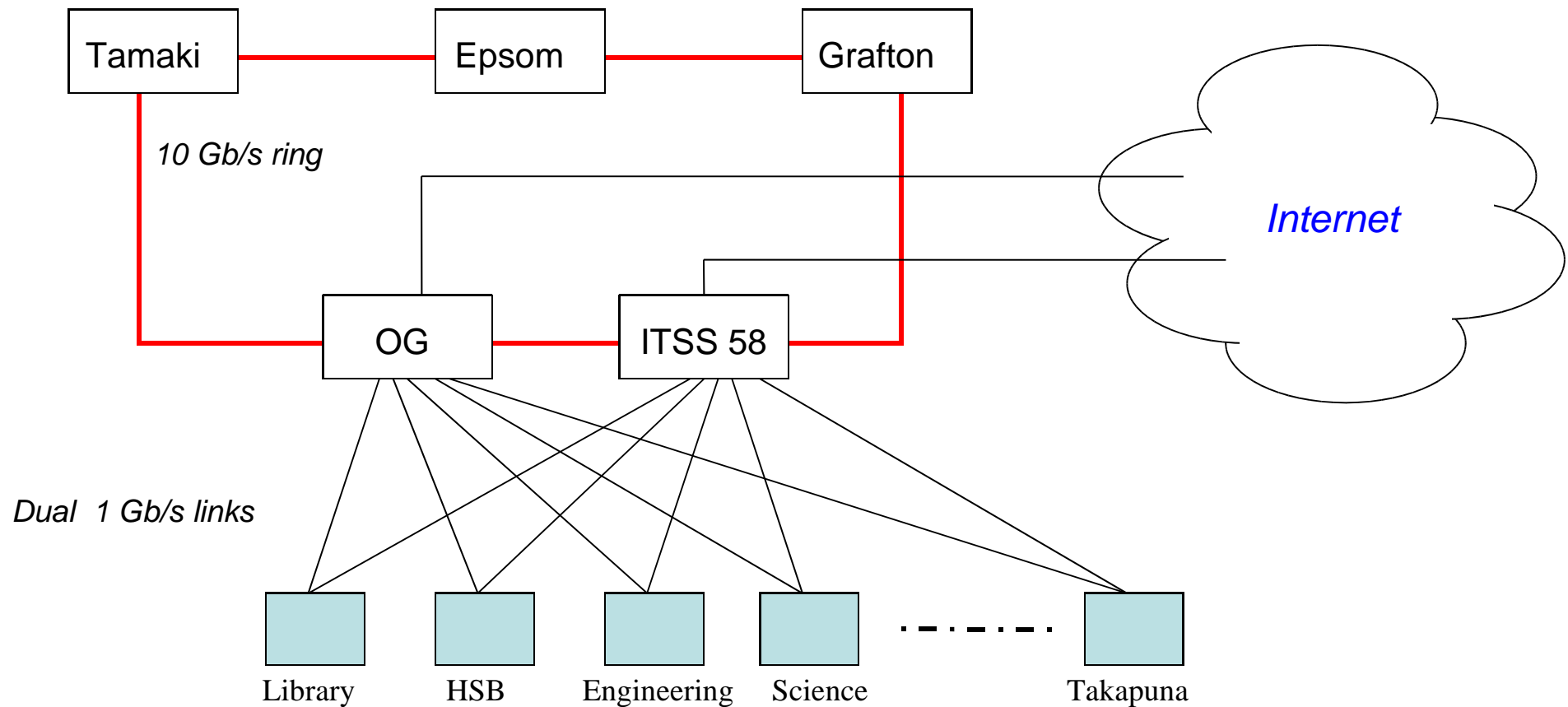
A real network

- Here's a (very brief) overview of the U Auckland network.

Simple view of Computer Science Network, 2003



The U Auckland Network, early 2007



Communications basics

See Shay 2.1-2.3

- Data is sent from / received by an *interface* on a device (e.g. a PC)
- It may be sent directly, using *baseband* transmission, or it may be mixed with a carrier signal, i.e. sent using *modulated* transmission
- The time taken to transmit one bit ('0' or '1') is called the *bit cell period*. Within each such period, a receiver must decide whether the incoming bit is '1' or '0'

Important information on transmission of bits

Bits, as electrical or optical signals, **always** travel at a 'propagation speed' of

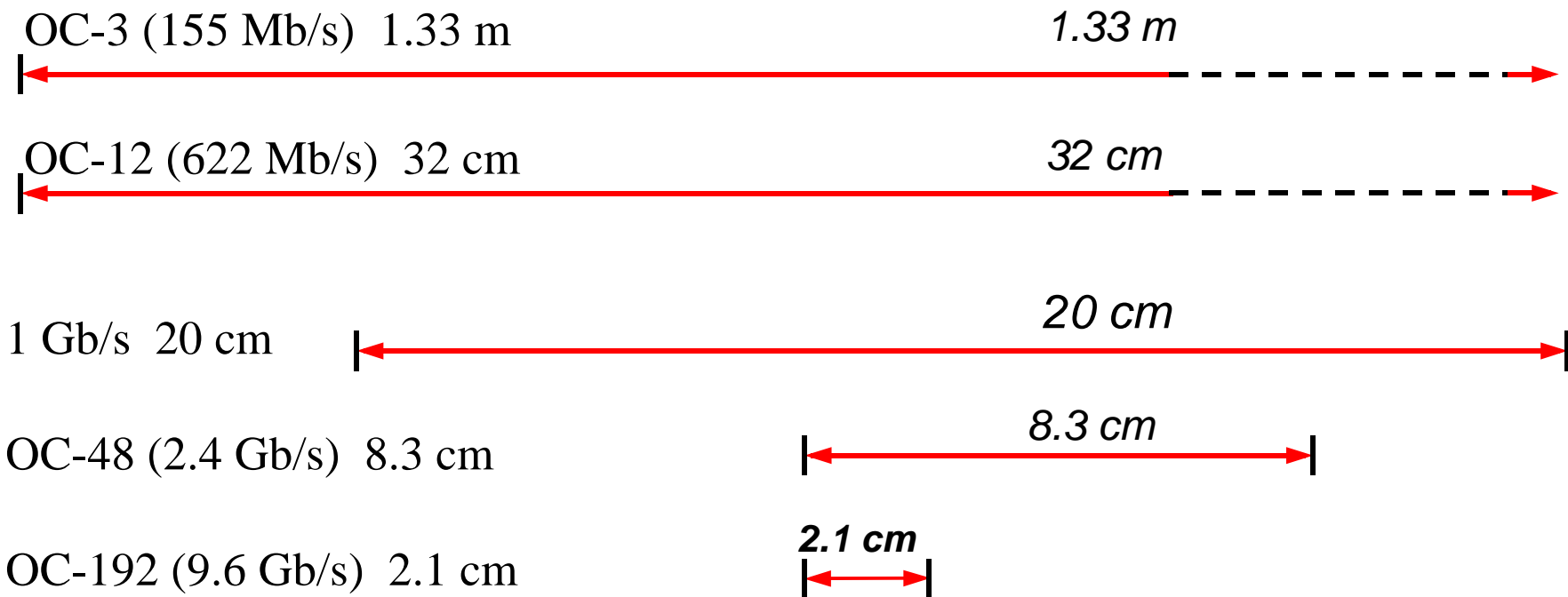
- 300,000 km/s in "free space" (radio, satellites, etc) (30cm per nanosecond)
- 200,000 km/s on copper or fibre-optic cables (20cm per nanosecond)

A 'faster' link has the bits arriving **more often** (say 1000 per microsecond, rather than 100 per microsecond), but they **never travel any faster**.

- The circumference of the Earth is 40,000 km (by the original definition of the metre)
- The distance from New Zealand to North America, South America, Japan or Singapore is close to 10,000 km.
- The delay or "latency" from New Zealand to almost anywhere except Australia is at least 1/20 second (50 ms). **This delay cannot be reduced!**

Distances between bits, on optical fibre

Assume propagation speed of 200,000 km/s in glass fibre
(These distances are nearly correct if the page is printed on A4 paper).



Communication Media: Conductive Metal

- Co-axial Cable (2.3)
 - Centre conductor, surrounded by a metal screen
 - Signal carried by the centre conductor, screened from electrical *noise*
- Twisted Pair (2.2)
 - Carries *balanced* signals, so as to minimise electrical *noise*
 - Cheaper and easier to install and use than co-ax
 - UTP cable has 4 pairs in an outer covering
 - Cat (Category) 5 UTP used for 100 Mb/s, cat 6 for 1 Gb/s

Communication Media: Optical Fibre (2.3)

- Uses thin (about 50 micron) glass fibre to carry pulses of light
- Fibre is either *graded index* or *step index*, restricting the light's *propagation mode* so as to confine it inside the fibre
- Attenuation in fibre is low, making it suitable for long-haul (70 km or more) links
- Submarine cables can use optical amplifiers. For example, Southern Cross connects Sydney-Auckland-Fiji-Honolulu-Los Angeles
- Immune to electrical noise

Communication Media: Wireless (2.4)

- Use electromagnetic waves to carry the signal in air (terrestrial) or free space (satellite)
- Wireless LANs (802.11) commonly used to link laptop PCs to an Internet *access point*
 - Range usually inside a room or building, say 50m
 - One access point can handle many laptops
- 802.11 can be used (with directional antennas) for much longer hops, so as to form regional networks
- Bluetooth used to link devices without wires
 - Cell 'phone to laptop, mouse to PC
 - Range about 10m or less

Assignment 1

- Due April 11 and you can start today
 - worth 5% of the final grade
- Understand the basic concepts of protocol layers and encapsulation by practical observation in the CS lab.
- Read and understand the tutorial document (13 pages) linked as "support material" at <http://www.cs.auckland.ac.nz/compsci314s1t/assignments/>
- Learn to use the packet capture tools provided.
- Capture data for each part of the assignment, and analyse the results to answer the questions.
 - don't forget to include captured data in your PDF file

Background for Assignment 1

- Revise the material about TCP/IP from CompSci 215, or look ahead in Shay Chapters 9, 10 and 11.
- Packets include a sequence of *headers* corresponding to protocol layers.
- If we can inspect the packets, we can see and understand the headers.
- The CS lab machines have some tools for 314 students to allow capture and inspection of your packets.
 - capture packets to and from your IP address only, for privacy reasons

Tools installed on CS lab Windows

- *wincap* - a simple library supporting the *windump* command line utility.
- *wireshark* - a packet capture tool with a GUI.
- Using the tutorial, try out some packet captures like the examples in sections VI and VII.
- Then you should be ready to start the assignment.